

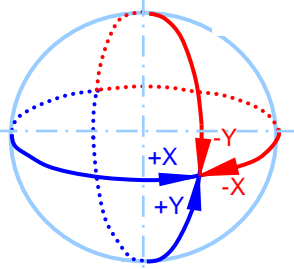
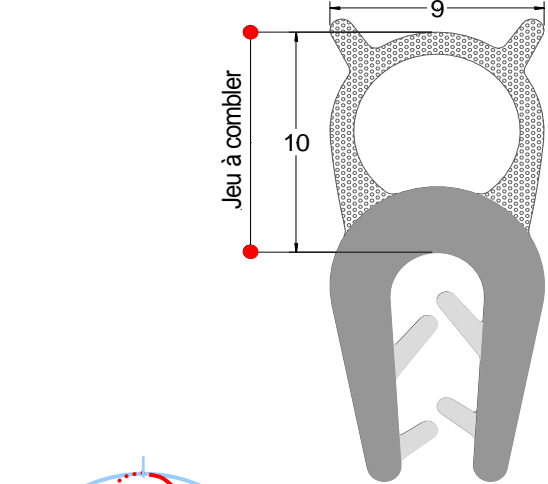
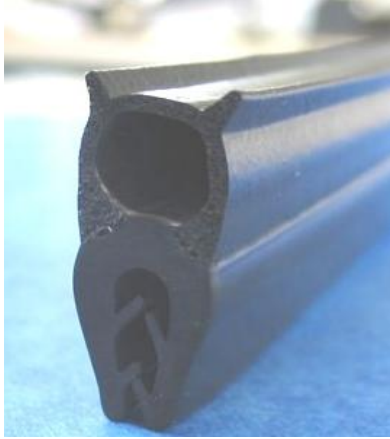
Toutes les valeurs sont données à titre indicatif



PRODUCT NAME
TS 10

ITEM NUMBER
9L149

PRODUCT PICTURE



SCALE 1:1



PRODUCT DESCRIPTION

Cellular rubber : gives flexibility when collapsed
Rigid rubber clip : gives an elastic tightening
Soft rubber lips : good pull-out behaviour

MATERIAL	TUBING	Material :	Black cellular rubber
	CLIP	Grade :	Black EPDM
		Hardness :	95 Shores A
	LIPS	Grade :	Black EPDM
		Hardness :	60 Shores A

MAXIMAL TEMPERATURES OF USE OF THE PROFIL (°C)		
<i>Nonstop static</i>	<i>Nonstop under constraints</i>	<i>Hottest (max duration 30 min)</i>
80	70	110

DIMENSIONS OF THE CLIP (mm)			
<i>Allowed sheet width</i>	1,5 to 2,5	<i>Depth of the clip</i>	9

MINIMAL BENDING RADIUS (mm)			
<i>X</i>	<i>Limit</i>	<i>Y</i>	<i>Limit</i>
20	tubing collapse	+ 90	tubing pinching
		-	deformation of the clip

GAP - Direction Y - (mm)				
		MINI	ADVISED	MAXI
gap		3	5	5.5
tubing collapse		100%	30%	0%

For all inquiries feel free to contact : HUTCHINSON - Le Pommarin - BP 17 - 38430 MOIRANS
 Tel. +33 4 76 35 79 00 - Fax +33 4 76 35 79 09

