

# Multifunction devices, electronic

**LED dual function displays**      **6 count modes with tachometer (DC)**      **Codix 52P**



The Codix 52P is a voltage-powered pulse counter/ position display with 4 different count input modes and separate tachometer.

With separate inputs, for fast and slow count pulses, with 6-digit LED display for NPN, PNP input signals.



<b>DC</b> 10 ... 30 V	<b>000000</b> DIN 48x24	<b>-20...+65°C</b>	<b>IP65</b>	<b>Prog</b>	<b>max.</b> 30 kHz	<b>1/sec - 1/min</b>	<b>Position</b>	<b>t / Hz</b> HRA
Supply voltage	DIN front bezel	Temperature range	High protection level	Menu-driven programming	Pulse counter/ Totalizer	Frequency meter/ tachometer	Position display	Frequency meter HRA

### Powerful

- Fast count and frequency input – input frequency max. 30 kHz (can be damped to 30 Hz for mechanical contacts).
- Robust housing – IP65 protected.
- Very bright LED display, 8 mm high, 6 digits.
- Very accurate precise frequency measurement principle (HRA-High Rate Accuracy System)  
Frequencies up to 38 Hz are calculated using time-interval (period duration) measurement. Frequencies > 38 Hz are calculated using a special time base (gate time) measurement. A very high accuracy of < 0.1 % is achieved, even with very short gate times. The resulting measurement is available after a max. of 50 ms.
- Short start-up time – detects input pulses just 16 msec after being switched on => no pulses are lost with a simultaneous motor start-up.

### User-friendly and universal

- Large keys – can also be operated when wearing gloves.
- Programming:
  - Simple uniform menu-driven programming and operation.
  - Possible to enter the programming also during operation with a confirmation prompt.
  - Pressing the right key switches between displays.
- Individually programmable scaling: multiplication and division factor (0.0001...99.9999), to display corresponding engineering units, e.g. position in 1/10 mm and speed in RPM.
- Separate factors for frequency- and pulse counting.
- 4 different count input modes for the position display: 2-channel input for detecting count direction, difference or adding mode, quadrature x1, x2 or x4. 1 separate input for rotary speed and speed, display in 1/min or 1/sec.
- Inputs: as an alternative to the HTL inputs, devices are available with a 4 ... 30 V DC input level, for use as parallel displays to PLCs.

### Order code

6.52P . 01 2 . 3 X 0<sup>a</sup>

<sup>a</sup> Input switching level  
0 = Standard (HTL)  
A = 4 ... 30 V DC

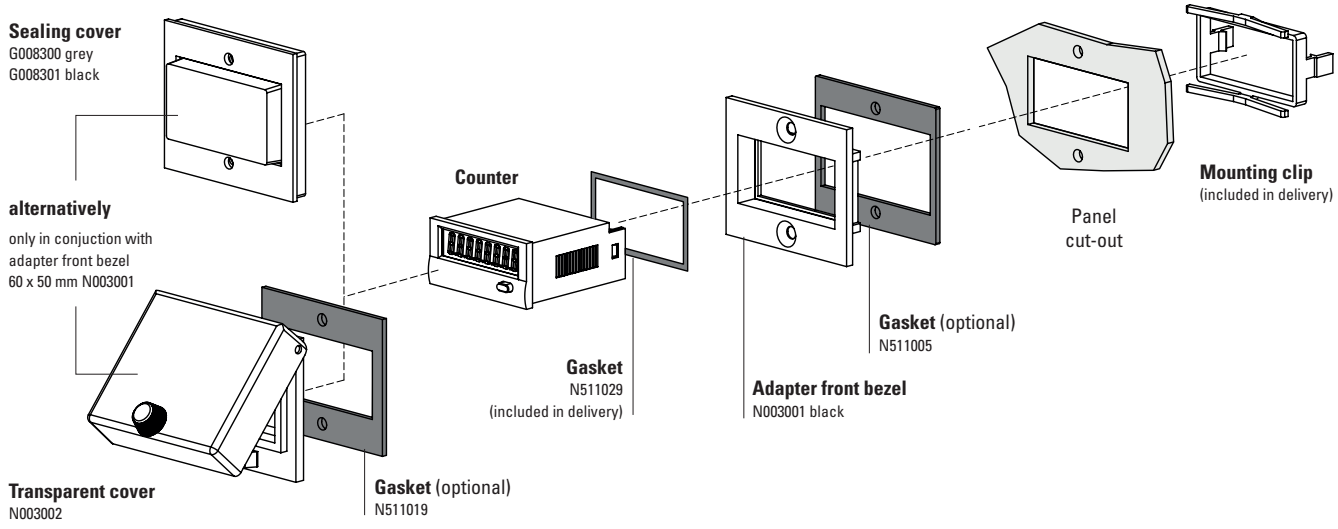
### Delivery specification

- Counter
- Mounting clip
- Front bezel for screw mounting (T008181) 56 x 40 mm [2.20 x 1.57"], panel cut-out 50 x 25 mm [1.97 x 0.98"]
- Front bezel for clip mounting (T008180) 53 x 28 mm [2.09 x 1.10"], panel cut-out 50 x 25 mm [1.97 x 0.98"]
- Gasket
- Instruction manual, multilingual

# Multifunction devices, electronic

## LED dual function displays 6 count modes with tachometer (DC) Codix 52P

### Accessories / Mounting examples



		Type / size	Description		Order no.	suitable gasket
<b>Adapter front bezel</b>		<b>53 x 28 mm</b> [2.09 x 1.10"]	for cut-out 50 x 25 mm [1.97 x 0.98"] to cut-out 45 x 22.2 mm [1.77 x 0.94"]	grey black anthracite	<b>T008164</b> <b>T008165</b> <b>T008180</b>	<b>N511015</b>
		<b>56 x 40 mm</b> [2.20 x 1.57"]	for cut-out 50 x 25 mm [1.97 x 0.98"] to cut-out 45 x 22.2 mm [1.77 x 0.94"] screw mounting	black anthracite	<b>T008161</b> <b>T008181</b>	<b>N511045</b>
		<b>72 x 36 mm</b> [2.83 x 1.42"]	for cut-out 68 x 33 mm [2.68 x 1.30"] to cut-out 45 x 22.2 mm [1.77 x 0.94"]	black and silver anodised as set	<b>162704Set</b>	–
		<b>60 x 50 mm</b> [2.36 x 1.97"]	for cut-out 54 x 29 mm [2.13 x 1.14"] to cut-out 45 x 22.2 mm [1.77 x 0.94"] screw mounting	black	<b>N003001</b>	<b>N511005</b>
		<b>48 x 48 mm</b> [1.89 x 1.89"]	for cut-out 45 x 45 mm [1.77 x 1.77"] to cut-out 45 x 22.2 mm [1.77 x 0.94"]	black	<b>T008883</b>	–
<b>Sealing cover IP65</b>		<b>K1</b>	only in conjunction with adapter front bezel 60 x 50 mm N003001	transparent / grey transparent / black	<b>G008300</b> <b>G008301</b>	–
<b>Transparent cover IP65</b>		<b>1 Dv</b> (mounted on bezel)	cover lockable, for cut-out 54 x 29 mm [2.13 x 1.14"], only in conjunction with adapter front bezel 60 x 50 mm N003001	transparent / black	<b>N003002</b>	<b>N511019</b>
<b>Gasket counter</b>			48 x 24 mm (for installation in adapter front bezel) 49 x 25 mm		<b>N511029</b> <b>N511034</b>	
<b>Mounting frame</b>		<b>cut-out</b> <b>50 x 25 mm</b> [1.97 x 0.98"]	via adapter T008180 for snap-on mounting on 35 mm [1.38"] top-hat DIN rail	chromated	<b>G300004</b>	–
<b>Enclosure blind</b>		<b>48 x 24 mm</b> [1.89 x 0.94"]	for cut-out 45 x 22.2 mm [1.77 x 0.94"] and cut-out 50 x 25 mm [1.97 x 0.98"]	anthracite	<b>G003836</b>	–

incl. in delivery

# Multifunction devices, electronic

## LED dual function displays      6 count modes with tachometer (DC)      Codix 52P

### Technical data

General technical data	
<b>Display</b>	6 digits, red 7 segment LED display; 8 mm [0.32"] high
<b>Data backup</b>	EEPROM
<b>Operating temperature</b>	10 ... 26 V DC    -20 °C ... +65 °C [-4 °F ... +149 °F] > 26 ... 30 V DC    -20 °C ... +55 °C [-4 °F ... +131 °F] (non-condensing)
<b>Storage temperature</b>	-25 °C ... +70 °C [-13 °F ... +158 °F]

Electrical characteristics	
<b>Supply voltage</b>	10 ... 30 VDC, with integrated reverse polarity protection
<b>Current consumption</b>	max. 40 mA
<b>EMC standards</b>	EN 55011 class B, EN 61000-6-2, EN 61000-6-3 EN 61326-1
<b>UL approval</b>	file E128604

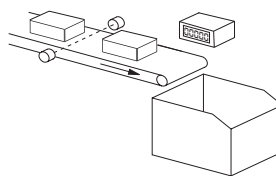
Mechanical characteristics	
<b>Housing</b>	front panel mount 48x24 mm [1.89 x 0.94"] acc. to DIN 43700; RAL 7021, dark grey
<b>Protection</b>	IP65 (front side)
<b>Weight</b>	approx. 50 g [1.76 oz]
<b>Vibration resistance</b> acc. to EN 60068-2-6	10 ... 55 Hz / 1 mm [0.04"] / 30 min
<b>Shock resistance</b> acc. to EN 60068-2-27	100 G: 2 ms 10 G: 6 ms

Inputs	
<b>Polarity of inputs</b>	programmable, NPN or PNP for all inputs
<b>Input resistance</b>	approx. 5 kΩ
<b>Counting frequency</b> <sup>1)</sup>	max. 30 kHz, can be damped to 30 Hz
<b>Display range</b>	tachometer 1/min or 1/sec
<b>Minimum pulse duration of the reset input</b>	5 ms
<b>Input switching level (HTL)</b>	LOW 0 ... 0.2 x U <sub>B</sub> [V DC] HIGH 0.6 x U <sub>B</sub> ... 30 V DC
<b>Input switching level at 4 ... 30 V DC</b>	LOW 0 ... 2 V DC HIGH 4 ... 30 V DC
<b>Accuracy</b>	< 0.1 % frequency meter, tachometer

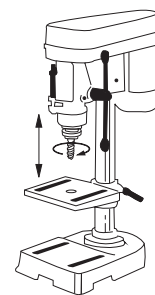
### Applications for frequency and position display / totalizer

Position and rotary speed applications, e.g.

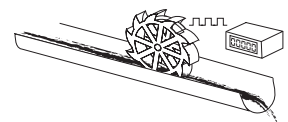
- OEM equipment or retrofitting to drilling machines
- OEM equipment on flow measuring plant, e.g. total flow and current flow
- Total piece count and pieces per minute, where the pulse counting occurs in the add/subtract mode, in order to deduct reject parts
- Production data acquisition: total piece count and production speed, or absolute distance traversed and current speed



Piece count on conveyor and production speed



Rotary speed and drilling depth



Flow rate and total volume

1) Details see manual

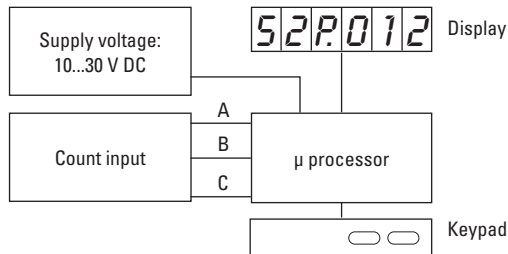
# Multifunction devices, electronic

**LED dual function displays**

**6 count modes with tachometer (DC)**

**Codix 52P**

## Block diagram



## Terminal assignment



PIN	DC version
1	10 ... 30 V DC
2	0 V GND
3	INP A (count)
4	INP B (count)
5	INP C (frequency)

Function of the inputs INP A, INP B, INP C

### INP A and INP B:

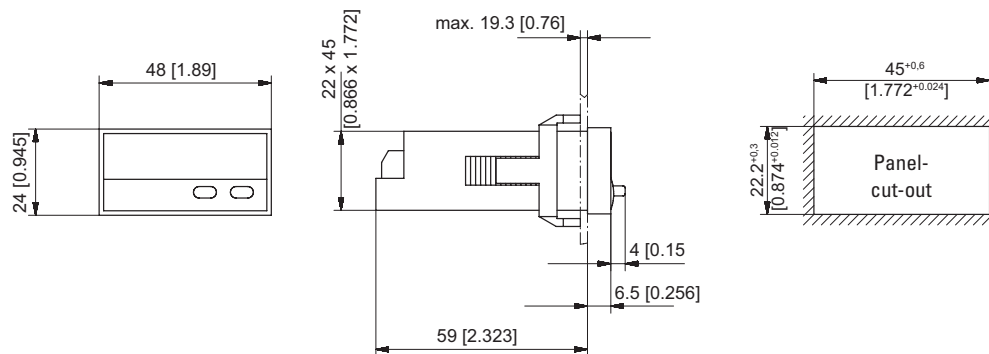
Two channel pulse input with 6 different count modes

### INP C:

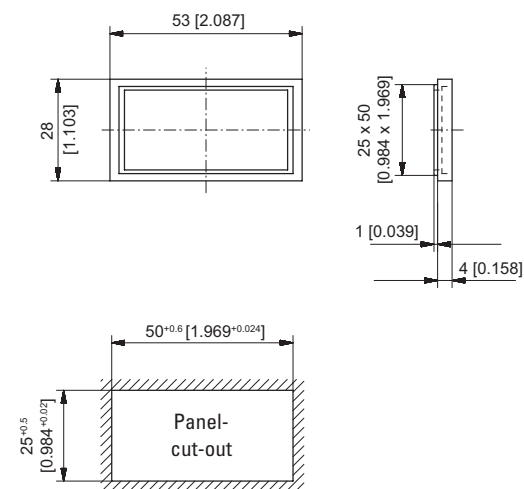
Frequency input, single channel

## Dimensions

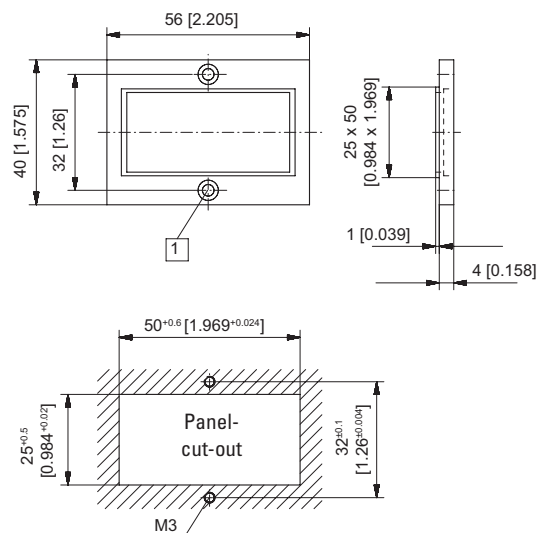
Dimensions in mm [inch]



## Front bezel for clip mounting (included in delivery)



## Front bezel for screw mounting (included in delivery)



1 Countersinking Af3, DIN 74